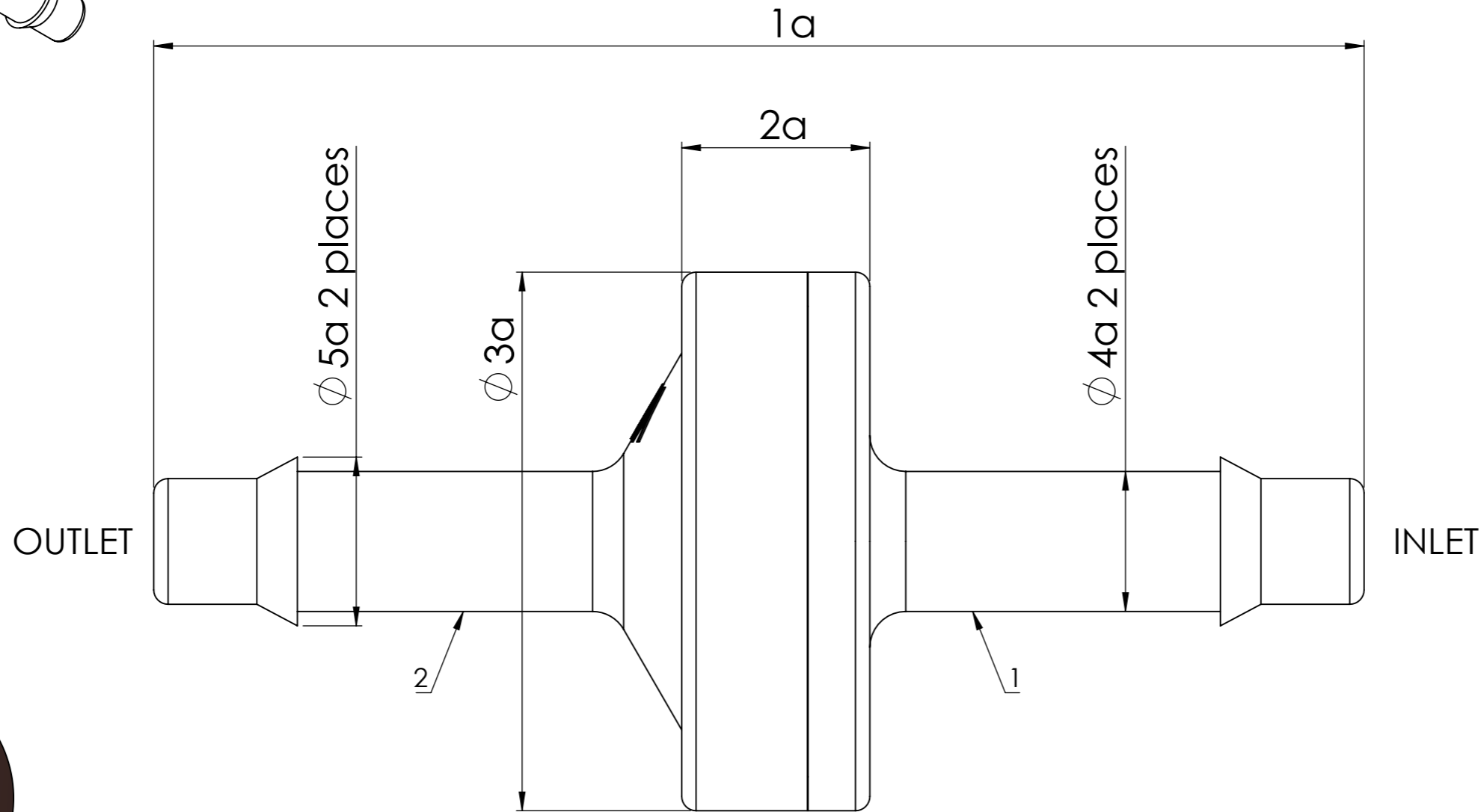


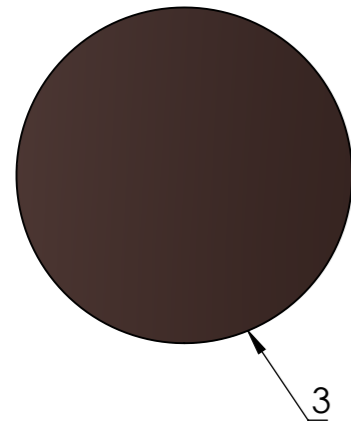
FOR REFERENCE ONLY

REV	REVISION RECORD	DWG BY	DATE	APPROVED BY



Proprietary and confidential

All information provided in this drawing is sole property of Pneuline Supply Inc. Any reproduction in part or as a whole without the written permission From Pneuline Supply Inc. is strictly prohibited.



Item	Part No.	Material
1	CPO40	720 Natural Kynar
2	CPO41	720 Grey Kynar
3	.030 Disc	Viton 60 durometer



www.pneulinesupply.com Greeley, Co U.S.A.

ACETAL	KYNAR	NYLON 22HSP	NYLON R530	Polycarbonate	Polyprop glass	Polypropylene			
1a	1a 1.694 ± .030	1a	1a	1a	1a	1a	1a	1a	1a
2a	2a .273 ± .015	2a	2a	2a	2a	2a	2a	2a	2a
3a	3a .754 ref only	3a	3a	3a	3a	3a	3a	3a	3a
4a	4a .195 ± .005	4a	4a	4a	4a	4a	4a	4a	4a
5a	5a .234 ± .005	5a	5a	5a	5a	5a	5a	5a	5a
6a	6a	6a	6a	6a	6a	6a	6a	6a	6a
7a	7a	7a	7a	7a	7a	7a	7a	7a	7a

DESCRIPTION				
MPV-3B Assembly with Viton disc & 720 natural Kynar material				
DRAWN BY A.W.	DATE ASSEM CREATED 08/13/17	APPROVED BY	APPROVAL DATE	DRAWING NAME MPV-3B-KV
SCALE NTS	SIZE A	SHEET 1 OF 1		ASSEMBLY # MPV-3B
ALL HARD COPIES OF THIS PRINT FOR REFERENCE ONLY				REV A

