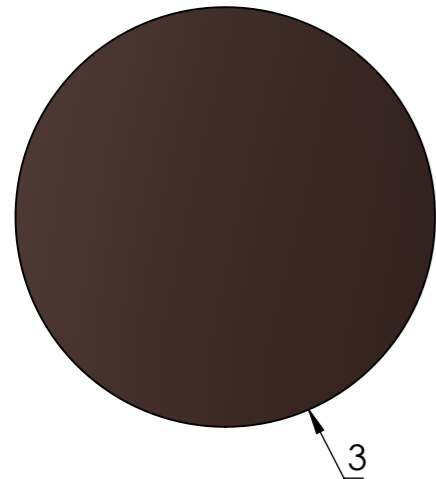
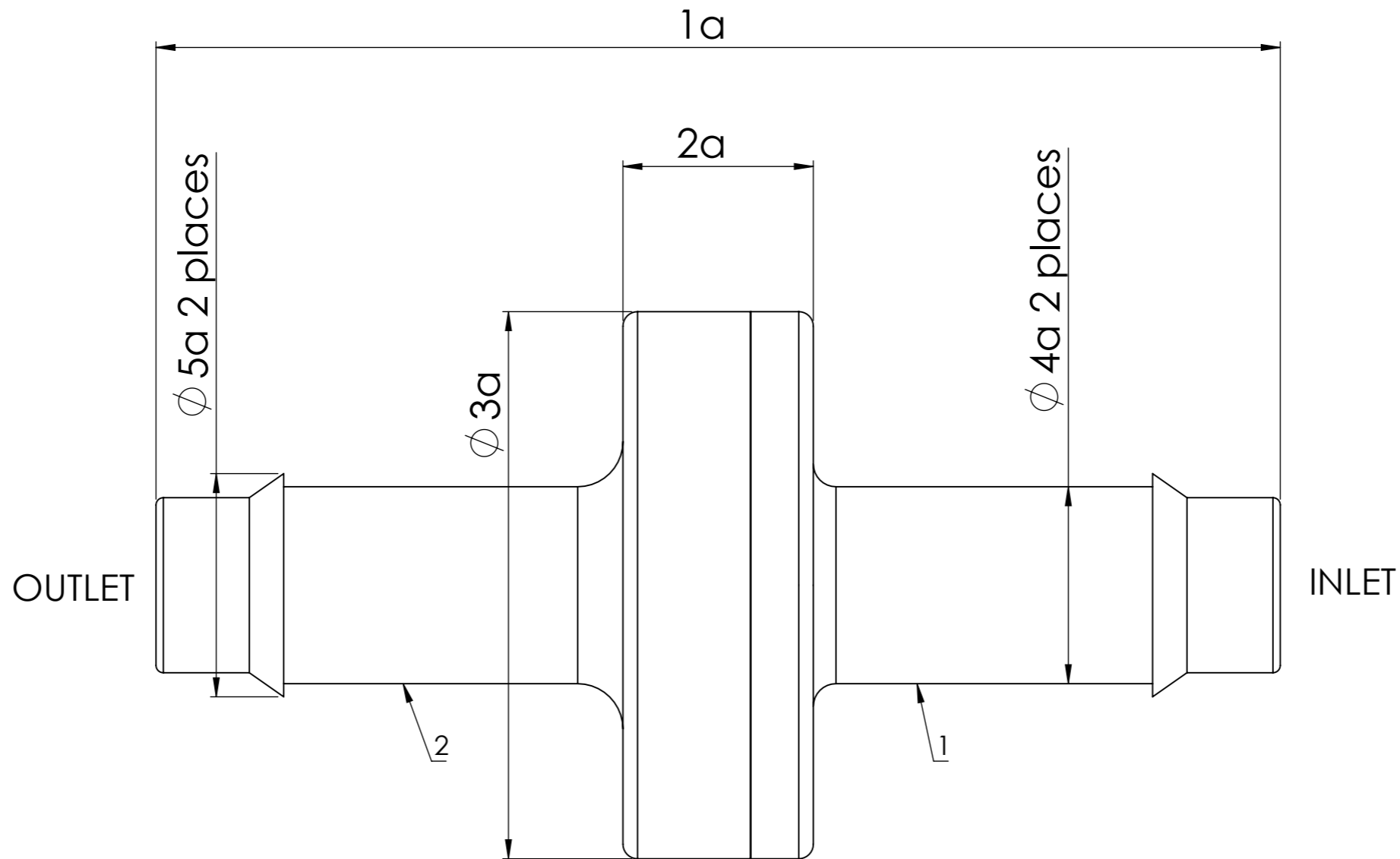


FOR REFERENCE ONLY

REV	REVISION RECORD	DWG BY	DATE	APPROVED BY



Item	Part No.	Material
1	CPO42	720 Natural Kynar
2	CPO43	720 Natural Kynar
3	V030	Viton disc

Proprietary and confidential

All information provided in this drawing is sole property of Pneuline Supply Inc. Any reproduction in part or as a whole without the written permission From Pneuline Supply Inc. is strictly prohibited.



www.pneulinesupply.com Greeley, Co U.S.A.

ACETAL	KYNAR	NYLON 22HSP	NYLON R530	Polycarbonate	Polyprop glass	Polypropylene	
1a	1a 1.530 ±.030	1a	1a	1a	1a	1a	1a
2a	2a .270 ± .015	2a	2a	2a	2a	2a	2a
3a	3a .750 ref only	3a	3a	3a	3a	3a	3a
4a	4a .265 ±.005	4a	4a	4a	4a	4a	4a
5a	5a .306 ±.010	5a	5a	5a	5a	5a	5a
6a	6a	6a	6a	6a	6a	6a	6a
7a	7a	7a	7a	7a	7a	7a	7a

DESCRIPTION				
MPV-4B-KV Assembly with Viton disc and 720 Kynar material				
DRAWN BY AW	DATE ASSEM CREATED N/A	APPROVED BY RW	APPROVAL DATE 04/29/22	DRAWING NAME MPV-4B-KV
SCALE NTS	SIZE A	SHEET 1 OF 1		ASSEMBLY # MPV-4B
REV A				

ALL HARD COPIES OF THIS PRINT FOR REFERENCE ONLY